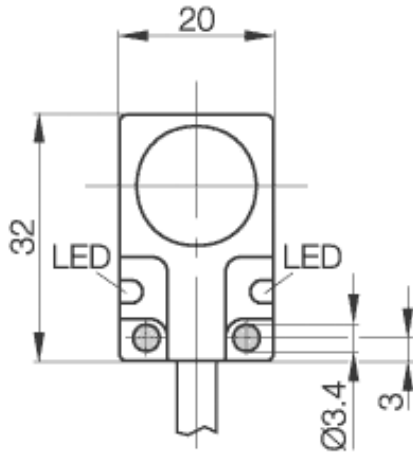


Inductive Sensors
BES R01ZC-PSC50B-BV02-V
20 x 32 x 8
normally-open
Sn=5mm
shielded
magnetic field immune



Common Data

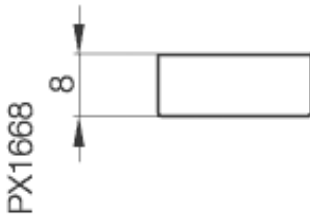
Mounting in steel	shielded
Rated operating distance Sn	5mm
Assured operating distance Sa	0...4,1mm
Repeatability R	≤ 5%
Power indication	yes
Function indication	yes
Ambient temperature range	-25...+70°C
Pollution Degree	3
Particular characteristics	magnetic field immune

Mechanical Data

Measurements BxHxT or DxT	20 x 32 x 8mm
Housing material	GD Zn
Material of sensing face	PA 12
Degree of protection	IP67IP
Connection	Cable
Cable type	PVC, 3x0,34mm ²
Schock: Halfsinus, 30 gn, 11ms	
Vibration: 55 Hz, 1mm Amplitude, 3 x 30 Minutes	

Electrical Data

Current type	DC
Wiring	3-Wire
switching function	normally-open
Output signal	PNP
Rated operational voltage	24 DCV
Rated operational current	200mA
Supply voltage	10...30 DCV
Rated supply frequency	DChz
max. switching frequency	1000Hz
No-load supply current	=15mA
Off-state current	≤ 100µA
Voltage drop	≤ 1,8V
Short circuit protection	yes
Protected against polarity reversal	yes



Utilization categories
 Insulation class

DC 13
 II

Datasheet number:

Definitions see general catalog.
 If not otherwise noted, ratings according to
 IEC 60947-5-2 (DIN EN60947-5-2)

Balluff GmbH
 Schurwaldstrasse 9
 73765 Neuhausen a.d.F.
 Phone (07158) 173-0 Fax (07158) 5010

Datenblatt by CD-ROM - 04/2007

BALLUFF
 sensors worldwide